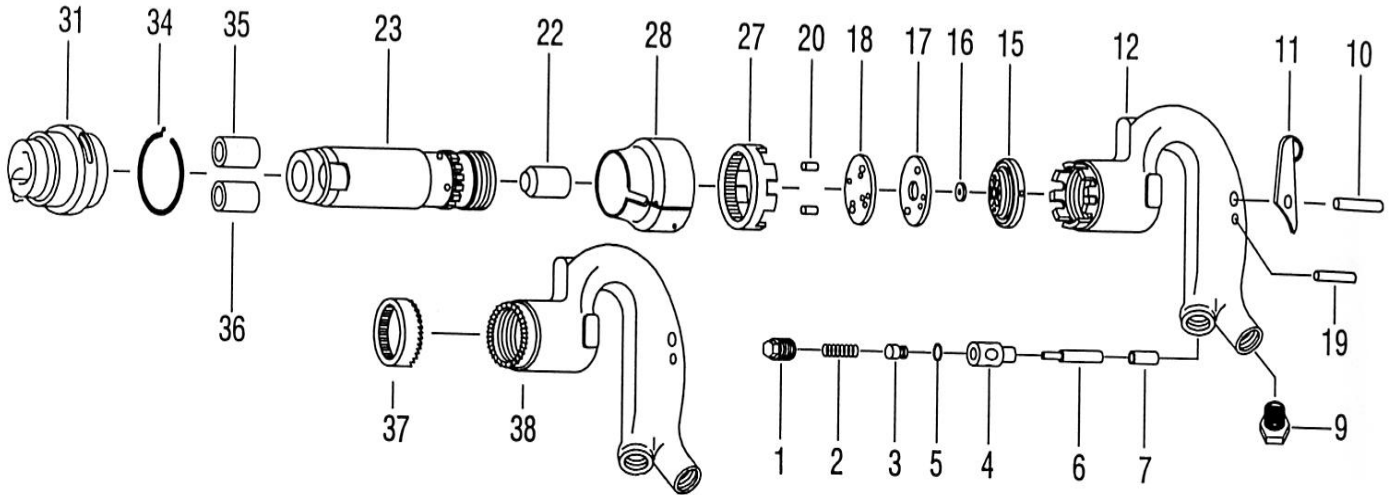


C483242 2" AIR CHIPPING HAMMER



PARTS LIST

No.	Parts No.	Description	Q'ty
1	C483242-01	Plug-Throttle Valve [1/2"PT]	1
2	C483242-02	Spring-Throttle Valve	1
3	C483242-03	Valve-Throttle	1
4	C483242-04	Bushing-Throttle Valve	1
5	C483242-05	"O" Ring	1
6	C483242-06	Pin-Push	1
7	C483242-07	Bushing-Pin Push	1
9	C483242-09	Bushing-Permanent	1
10	C483242-10	Pin-Throttle Lever	1
11	C483242-11	Lever-Throttle	1
12	C483242-12	Handle	1
15	C483242-15	Lid-Upper Valve Case	1
16	C483242-16	Valve	1
17	C483242-17	Case-Valve	1
18	C483242-18	Lid-Lower Valve Case	1
19	C483242-19	Pin-Stop	1

No.	Parts No.	Description	Q'ty
20	C483242-20	Pin-Bowel [7.8*22.5]	2
22	C483242-22	Piston For 1" & 2"	1
	2203-22	Piston For 3" (Opt.)	1
	2204-22	Piston For 4" (Opt.)	1
23	2201-23	Cylinder For 1" (Opt.)	1
	C483242-23	Cylinder For 2"	1
	2203-23	Cylinder For 3" (Opt.)	1
	2204-23	Cylinder For 4" (Opt.)	1
27	C483242-27	Lock	1
28	C483242-28	Shield-Lock	1
31	C483242-31	Sleeve-Retainer	1
34	C483242-34	Spring-Lockcoil	1
35	C483242-35	Bushing-Cylinder [R]	1
36	C483242-36	Bushing-Cylinder [H]	1
37	C483242-37	Lock	1
38	C483242-38	Handle	1